



custom
architectural
products and
services for
the glazing
industry

BELLA simply beautiful

LOCKING LADDER PULL



ARCHITECTURAL PRODUCTS & MANUFACTURING, INC.

708.339.4782



MODEL OPTIONS

ARCHITECTURAL PRODUCTS & MANUFACTURING, INC.

INTRODUCTION

Bella Locking Ladder Pulls have a fully concealed dead bolt locking mechanism and are available in a variety of popular architectural finishes, as well as powder coated finishes, our Bella E-Coat finishes and leather wrapped.

Simply lock or unlock your door by turning a thumb turn or using a key. No straining your back or bending your knees to lock doors again! The locking ladder pulls are designed for use with $\frac{1}{2}$ - $\frac{3}{4}$ inch thick glass doors. Bella's Locking Ladder Pulls are supplied with small format interchangeable housing and core (SFIC) locks. Other housing/core options are available upon request.

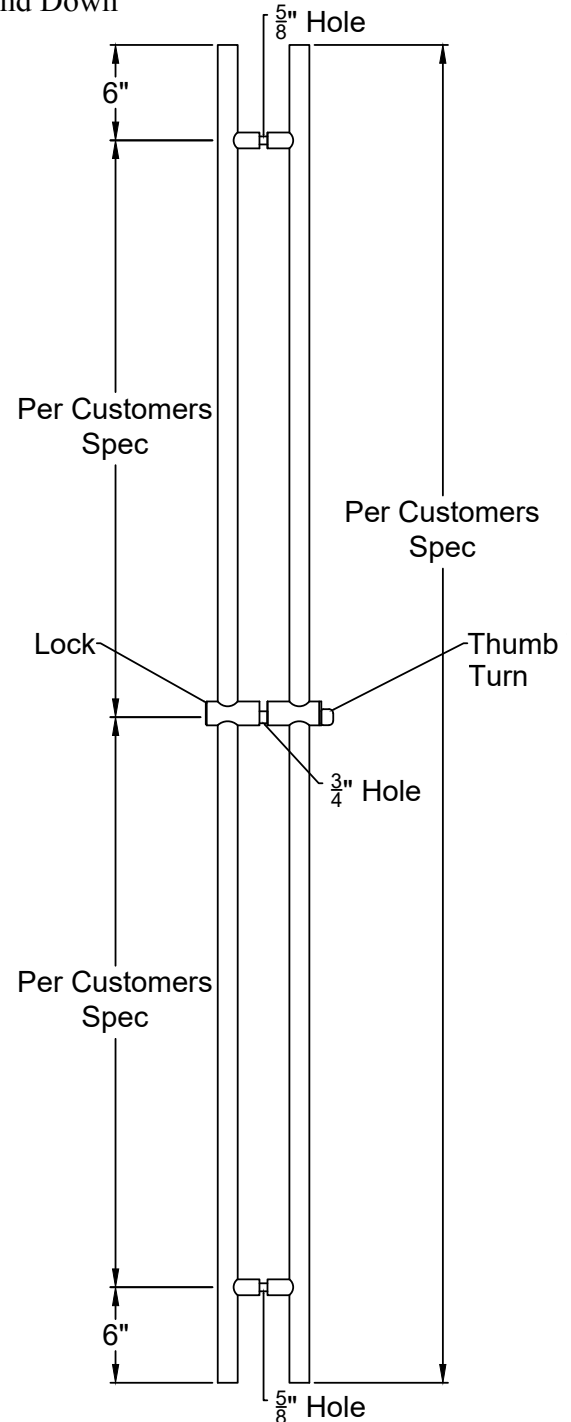
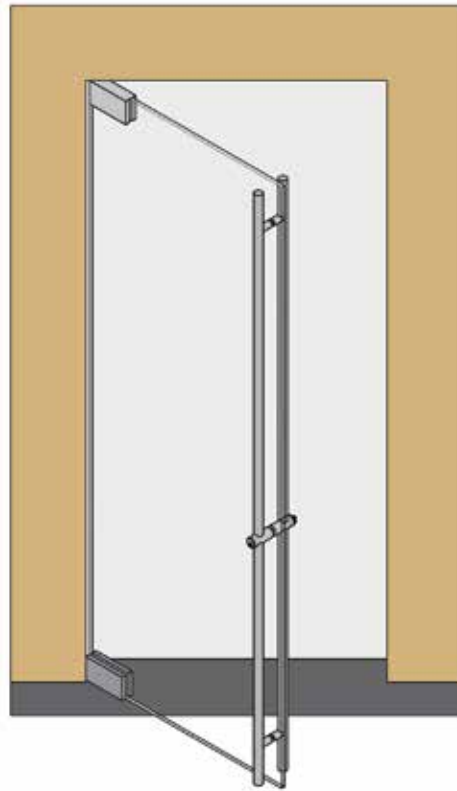


FULL HEIGHT PULL — SINGLE AND DUAL LOCK MODELS

FHLD (Full Height Down) — Locks Down

FHLU (Full Height Up) — Locks Up

FHUD (Full Height Both) — Locks Up and Down



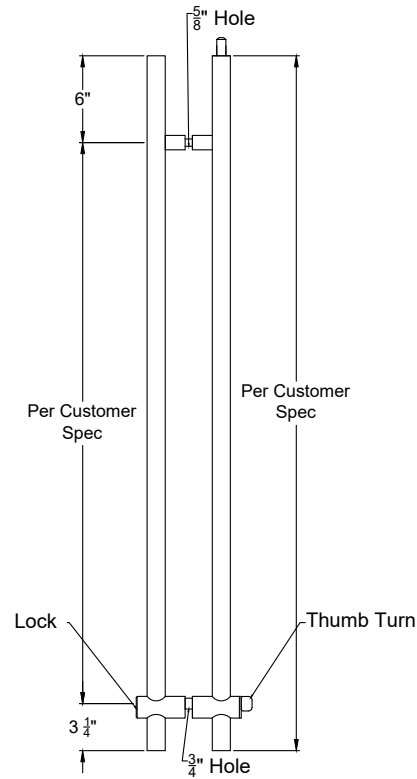
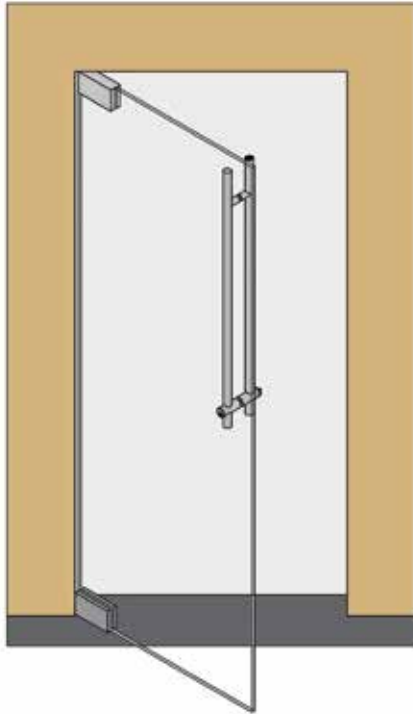
MODEL OPTIONS



ARCHITECTURAL PRODUCTS & MANUFACTURING, INC.

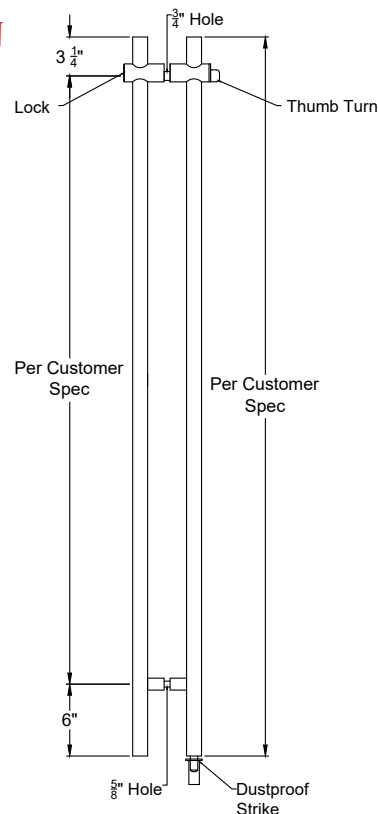
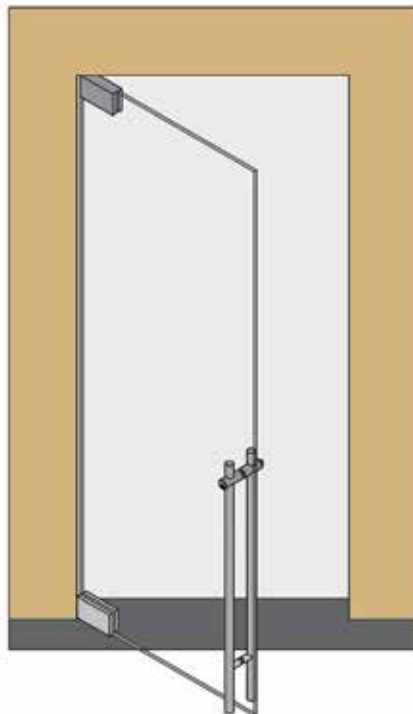
HALF HEIGHT PULL — LOCKS UP

HHLU



HALF HEIGHT PULL — LOCKS DOWN

HHL D





APPLICATION DETAILS

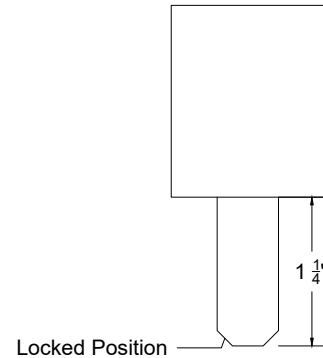
GLASS DOORS

ARCHITECTURAL PRODUCTS & MANUFACTURING, INC.

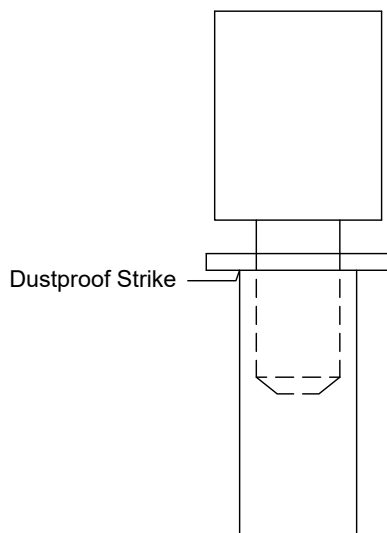
LOCATION FROM DOOR

Glass door applications include bushings and washers to protect the pull from sitting directly on the glass. Fasteners securely attach the pull to the door making for a durable, easy installation. Simple glass prep requires two or three round holes, depending on your model options.

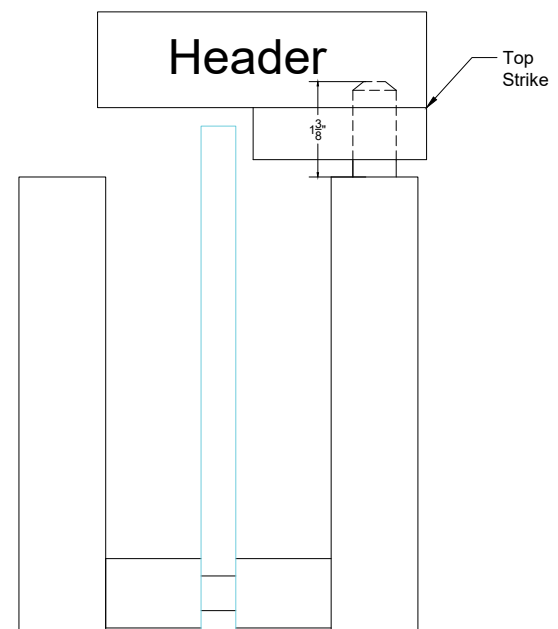
BOLT DEPTH



LOCK INTO FLOOR MODELS — DETAIL AT FLOOR



LOCK INTO HEAD MODELS — DETAIL AT HEAD



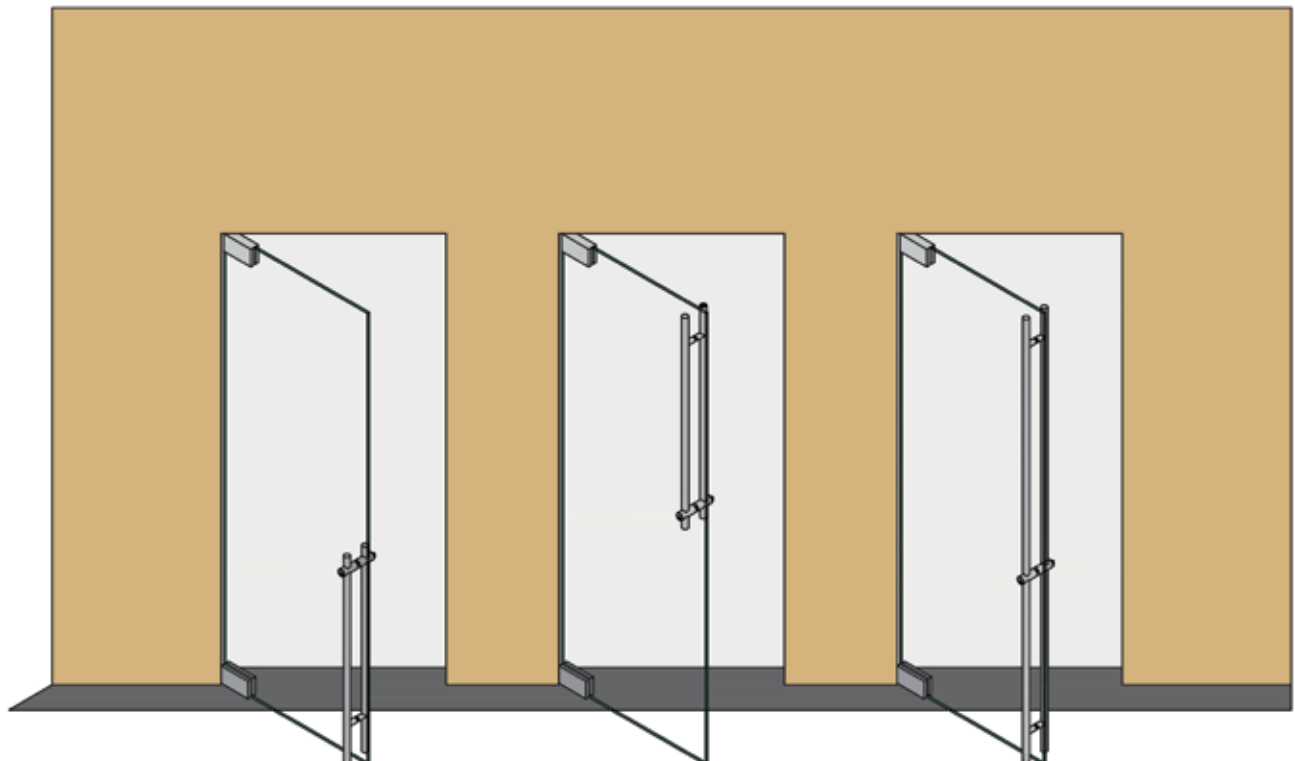
APPLICATION DETAILS

INSTALLATION REFERENCE



ARCHITECTURAL PRODUCTS & MANUFACTURING, INC.

- ◆ All Bella Locking Ladder Pulls will work with Patch Fitting or Rails on Glass Doors and are also Compatible with Metal and Wood Doors. (Please Contact the Factory Direct for more information on Metal and Wood Doors.)
- ◆ Lock cylinder should be located 34"-48" above finished floor to comply with ADA specifications. Bella Locking Ladder Pulls are Readily Produced to Meet ADA Codes or for 10" Tall Rails.
- ◆ Custom Sizes and Post/Lock Cylinder Locations Available.
- ◆ End Posts Require a $\frac{5}{8}$ " Diameter Hole for $\frac{1}{2}$ " Glass, While the Lock Cylinder Hole Requires a $\frac{3}{4}$ " Diameter Hole.





ORDERING INFORMATION AND OPTIONS

ARCHITECTURAL PRODUCTS & MANUFACTURING, INC.



ADA Thumbturn



Dustproof Strike



Top Strike



Standard Thumbturn

Bella Locking Ladder Pulls Styles	Abrev.
Half Height, Locking Down	HHL D
Half Height, Locking Up	HHL U
Full Height, Locking Down	FHL D
Full Height, Locking Up	FHL U
Full Height, Locking Down	FHUD

Finish	US	ANSI/BMA
Polished Stainless Steel	US32	629
Satin Stainless Steel	US32D	630
US3 — Bellacoat™		
US4 — Bellacoat™		
US9 — Bellacoat™		
US10 — Bellacoat™		
US10BE — Bellacoat™		

ORDERING INFORMATION AND OPTIONS



ARCHITECTURAL PRODUCTS & MANUFACTURING, INC.

ORDER EXAMPLE:

Quantity	Series	Suffix	Finish	Door Material	Door Type	Door Thickness	Door Size	Door Clearance	Strike	Cylinder
1	BLLP125	HHL D	US32D	Glass	Swinging	1/2"	83 1/2"	1/4" at bottom	dust proof	SFIC

Suffix	Description
HHL D	Half Height, Locks Down
HHL U	Half Height, Locks Up
FHL D	Full Height, Locks Down
FHL U	Full Height, Locks Up
FHUD	Full Height, Locks Up and Down

BLLP125	Standard
L BLLP125	L-Configuration
LW BLLP125	Leather Wrap

AVAILABLE FINISHES:

Satin Stainless Steel	US32D
Polished Stainless Steel	US32
Satin Brass	US4 Bellacoat™
Polished Brass	US3 Bellacoat™
Oil Rubbed Bronze	US10BE Bellacoat™

LEATHER FINISH STANDARD COLOR SELECTIONS:

Upholstery Leather



Dark Brown



Black

Other Upholstery Leather color options available on request, as well as Architect Specified Leather.

- ◆ All Bella Locking Ladder Pulls can be mounted on metal, as well as wood doors (specify thickness).
- ◆ Custom strikes and stops can be fabricated per your request.
- ◆ Bella Locking Ladder Pulls are available in US32 (polished stainless) and US32D (satin stainless) finishes as well as Upholstery Leather wrapped, Powder Coated and Bella E-Coat.

The Bella Difference . . .

For more than three decades our associates have been producing some of the finest architectural hardware products in the industry. Our engineers and artisans have been schooled in the tradition of the old world craftsman who preceded them. Craftsman who lived and died by words like Quality, Value, Service and Integrity. Craftsman with a unique respect for fine materials and the machines that form them but who also understood that quality results not from tools alone but from the skilled hands that use them. People who put the pride in “made in the USA.”

At Bella old world craftsmanship and today’s advanced technologies combine to create truly exquisite entry and display products. Come experience the Bella difference.

BELLA simply beautiful

LOCKING LADDER PULL



**PROUDLY MADE IN
THE U.S.A.**

Bella Architectural Products & Manufacturing, Inc.

16910 South Lathrop Avenue

Harvey, IL 60426

P: 708.339.4782

F: 708.339.9782